



Opendor

# Instructions for completing the door lists


A BRAND OF




# 1 General information

Opendor components are not standard products. They are manufactured to fit your doors. The door list is a form that contains all the parameters required for the manufacturing of the components. Therefore, you must fill it out carefully and correctly.

This document is intended to assist you in completing the door lists and to answer the most common questions.

 Please note that your order is not complete until Interflex has received the completed door list in addition to the actual order.

## 2 Door Lists

 The door lists can be found here:

- Internal: Sharepoint [https://allegion.sharepoint.com/sites/Interflex-Intranet/Produktmanagement\\_/PMProduktinformationen/Forms/ConfigurationTools.aspx](https://allegion.sharepoint.com/sites/Interflex-Intranet/Produktmanagement_/PMProduktinformationen/Forms/ConfigurationTools.aspx)
- External: Please get in touch with your Interflex contact.

The following is valid for all door lists:

1. Please fill out the door lists *from left to right*.
2. Select all values from the pick lists  
Exception: Dimensions

### 2.1 IF-241 Door Fitting



Türenliste A - IF-241 Stand 04.2023 (Beachten Sie die Eingabereihenfolge durch die orangenen Pfeile. Keine Haftung für fehlerhafte Eingabe)																							
Projekt:			Ausweise vorhanden?:			Anzahl Blätter:			erstellt von:			Datum:			Kundenfreigabe					<b>Innenbeschlag *</b> 		Beschlag schmal nur mit Ovalrosetten und Langschild schmal.  * Hinweise beachten!	
Auftragsnr.:			Anzahl Blätter:			erstellt von:			Datum:			Kundenfreigabe											
Besteller:			Anzahl Blätter:			erstellt von:			Datum:			Kundenfreigabe											
Tel. Nr.:			Anzahl Blätter:			erstellt von:			Datum:			Kundenfreigabe											
Email:			Anzahl Blätter:			erstellt von:			Datum:			Kundenfreigabe											
Technologie: <b>1</b>																							
Nr	Anzahl	Ebene	Bezeichnung Funktion	Typ	Druckrichtung	PegaSys	Tür- stärke	Drucker- vierkant	Schlüssel- lochung Außen	Schlüssel- lochung Innen	Abstand mm	Aus- führung	Batterie- fach	Bohrung Innen- Beschlag*	Drucker Innen/ außen	Ober- fläche	Bemerkungen						
2	3	4	5	6	7	8	9	10	11	12	13	14	15	16	17	18	19						
				PegaSys Varianten <b>*Achtung*</b> zuerst Technologie auswählen	links rechts	 B 4.1 Breit B 4.1 Back to back Dornmaß ≥ 50 mm  S 4.1 Schmal S 4.1 Back to back Dornmaß ≥ 30 mm  <small>Wichtig: Handschuttscheibe für max. Druckverwechslung ist in Druckverwechslung Vorwahl- in anderen Belastung abweichend!</small>	mm 7 8 8,5 9 F9 (F9) 10	Profilzyl. PZ Blind Zylinder- abdeckung R222	Profilzyl. PZ Blind R222	PZ 70 PZ 72 RZ 70 PZ 85 PZ 80 PZ 92 RZ 74 RZ 76 RZ 74	Überschlag für: Innen- bereich Außen- bereich	integriert abgesetzt/ einrastend abgesetzt/ ver- schraubt zum Aufschrauben	Rosetten Ovalrosetten* Kurzrschild Langschild Langschild schmal 182 192 202 212 1182	Drucker 1182 nur mit Schweiß	Edelstahl	Bemerkungen							

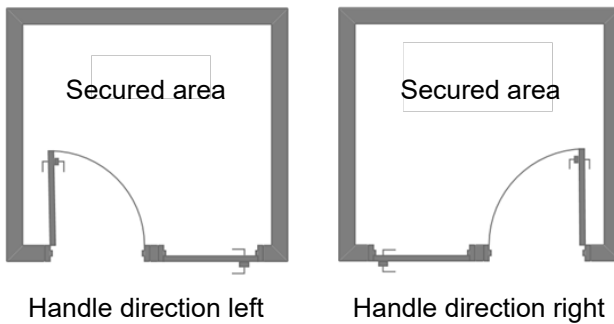
### General parameters

A separate door list must be completed for each combination of credential technology and variant.

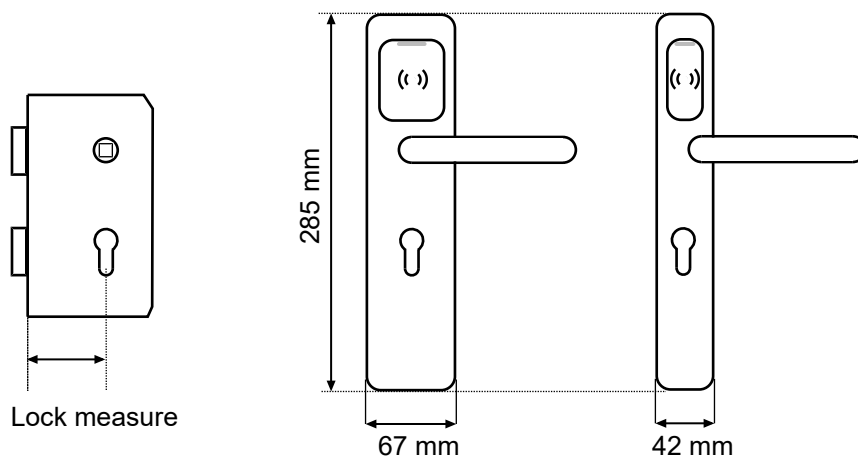
- 1 Credential technology + variant Opendor<sup>card</sup> or Opendor<sup>air</sup>
- 2 Consecutive number is entered automatically.
- 3 Number of components with the configuration defined in the respective line
- 4 Level according to room plan, e.g. EG
- 5 Name according to room plan, e.g. laboratory, 12.2.1
- 6 Type, always IF-241 Door Fitting

### Configuration

- 7 Direction of the handle according to room plan



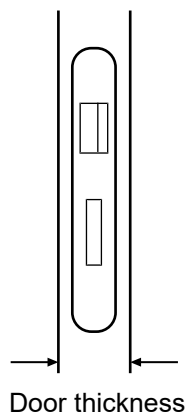
**8** Variant arrow or wide, depending on lock measure



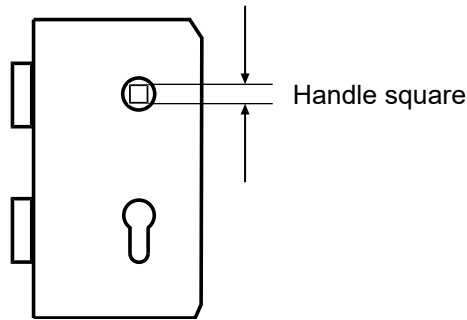
Lock measure	Variant IF-241:
< 30 mm	Unsuitable lock
> 45 mm	Width 67 mm
<= 45 mm	Width 42 mm

Which variant of IF-241 is suitable depends not only on the lock measure, but also on the door and the direction of opening. Should you have any questions, please get in touch with your Interflex contact.

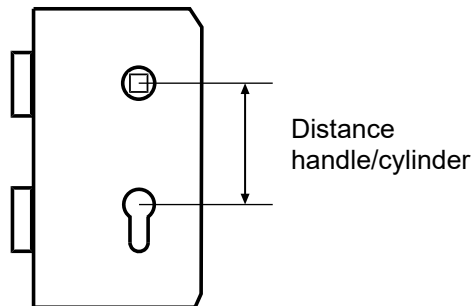
**9** Dimensions in mm



- 10 Dimension handle-square in mm



- 11 External key hole: Hidden is not recommended, because this does not allow emergency openings.
- 12 Internal key hole
- 13 Distance between handle and cylinder in mm



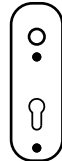
- 14 Get in touch with your Interflex contact if IF-241 is to be installed outdoors.
- 15 Get in touch with your Interflex contact if the battery case is to be installed remote.
- 16 Variant of the fitting on the inside of the door



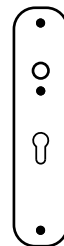
Round rosette



Oval rosette for screwing on



Short shield



Long shield

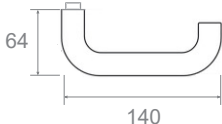
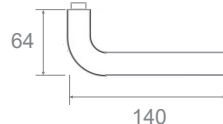
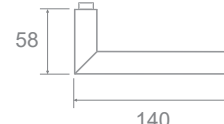
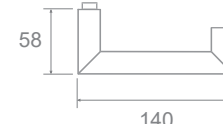


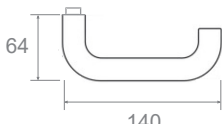
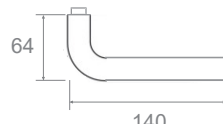
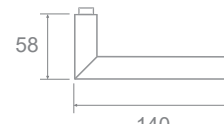
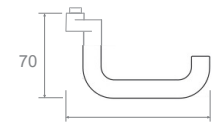
Long shield narrow

- 17 Handle variant [▶ 6]
- 18 Surface finish: Always stainless steel
- 19 Additional remark: List weatherproof cover with article number (and in the order as an item)
- 20 Not visible in the figure: Article number SimonsVoss
- 21 Not visible in the figure: Article number Normbau

## Variants

All IF-241 variants are certified according to DIN EN 18273, DIN EN 179 and DIN EN 1125.

	<b>Opendor<sup>card</sup> B-B/B</b>	<b>Opendor<sup>air</sup> B-B/B</b>
Item number	RE-3050001530	RE-3050001540
Width	67 mm	
	 <p>Serie 182</p>	 <p>Serie 192</p>
	 <p>Serie 292</p>	 <p>Serie 282</p>

	<b>Opendor<sup>card</sup> S-B/B</b>	<b>Opendor<sup>air</sup> S-B/B</b>
Item number	RE-3050001430	RE-3050001440
Width	42 mm	
	 <p>Serie 182</p>	 <p>Serie 192</p>
	 <p>Serie 292</p>	 <p>Serie 1182</p>

## 2.2 IF-271 Door Handle



**Doorlist: IF-271 Door Handle (V4.2.6; Stand February 2023)**

Project: ... New/Expansion: ...

Order No.: ... Number of Pages: 1

Purchaser: ... Created by: ...

Phone No.: ... Date: ...

Email: ... Variante Noc-Card Ab-Ab Customer Approval

Technology:

No.	Quantity	Level	1	2	Rosette	Fire protection Escape doors	Handle L-shape U-shape O-shape	Square	Door thickness	Variant specification for internal sales	Quantity	Comments
						without without recess for cylinder with recess for cylinder	Yes/No Escape doors always with U- or O-shape for A1	L-shape-internal U-shape-curved O-shape-riveted	7mm 8mm 9mm	S 58-63 mm M 59-65 mm L 59-65 mm K 100-200 mm		

Per customer/proposed entries See figure above (top right)

3 4 5 6 7 8 9 10 11 12 13 14 15

### General parameters

A separate door list must be completed for each combination of credential technology and variant.

- 1 Reading technology
- 2 Variant Opendor<sup>card</sup> or Opendor<sup>air</sup>?
- 3 Consecutive number is entered automatically.
- 4 Number of components with the configuration defined in the respective line
- 5 Level according to room plan, e.g. EG
- 6 Name according to room plan, e.g. laboratory, 12.2.1

### Configuration

- 7 Variant [▶ 8]
- 8 Rosette: Should a rosette be mounted and if so, with or without recess for cylinder?
- 9 Is the door a fire protection or an escape door?
- 10 Handle variant
- 11 Edge length square
- 12 Door thickness

## Variants

All IF-271 variants are certified according to DIN EN 1634, DIN EN 179 and DIN EN 1906 (Klasse 4). They have a general building inspection test certificate from the MPA (Material Testing Office). Variant A1 additionally complies with PSA24 (Enhanced security performance requirements for doorsets and windows in the UK).

	A0 / B0	A1	A3
Item number	OF-271-00xx1x	OF-271-00xx11	OF-271-00xx13
Options	Outside and inside: Rosette OF-271-00003 with and without recess for cylinder	Outside: Rosette OF-271-00002 with and without recess for cylinder	Outside and inside: Rosette OF-271-00003 with and without recess for cylinder
Field of application	<ul style="list-style-type: none"> <li>- For internal doors with round rosettes</li> <li>- Credential reader above handle</li> <li>- Mechanical override possible (recess for cylinder not covered)</li> </ul>	<ul style="list-style-type: none"> <li>- For internal doors with round rosettes</li> <li>- Distance between handle and cylinder adjustable between 70 and 79 mm</li> <li>- Recess for cylinder covered on the outside</li> </ul>	<ul style="list-style-type: none"> <li>- For internal doors with tubular frame profiles an oval rosettes</li> <li>- Credential reader above handle</li> <li>- Mounting on supplied adapter plate</li> <li>- Mechanical override possible (recess for cylinder not covered)</li> </ul>
Dimensions (B x H x T)	66 x 120 x 21 mm	66 x 140 x 21 mm	66 x 120 x 21 mm Adapter plate: 66 x 120 x 5 mm
Hole pattern			



## 2.3 IF-281 Cylinder



**Door List: Interflex IF-281 E-Cylinder (V4.0.5 date December 2022)**

Please fill out all the fields from left to right.

Project:		New/Expansion:		Exist. Credentials:									
Order No.:		Number of Pages:		Created by:									
Purchaser:													
Phone No.:		Date:		Customer approval									
Email:		Variant No=Card Al=Air											
Technology:		MIFARE		Card									
No.	Quantity	Lev.	Description/Function	Order Type*	Version	Cylinder Length	Inner Knob	Remarks	IF Order No.	Variant Specification for Customer Care	Quantity		
1			For customer/project entries	See figure above (top right)	For: Indoor area Outdoor area Indoor and outdoor areas	outside / inside	Included in delivery						
3	4	5	6	7	8	9	10	11	12	13	14		

### General parameters

A separate door list must be completed for each combination of credential technology and variant.

- 1 Reading technology
- 2 Variant Opendor<sup>card</sup> or Opendor<sup>air</sup>?
- 3 Consecutive number is entered automatically.
- 4 Number of components with the configuration defined in the respective line
- 5 Level according to room plan, e.g. EG
- 6 Name according to room plan, e.g. laboratory, 12.2.1

### Configuration

#### 7 Cylinder type



Double knob Comfort



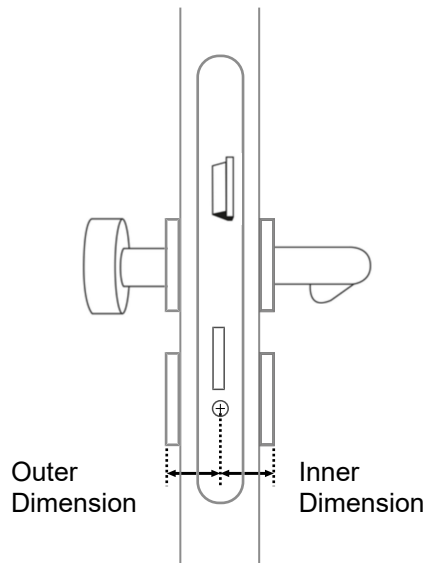
Double knob Anti-



Half cylinder

- Double knob cylinder Comfort: outside freely rotating, inside engaged
- Double knob cylinder Anti-panic: freely rotating on both sides
- Half cylinder: available in the variants *Multi-point* und *Self-locking*

- 8 Variant: Is the cylinder to be used indoors or outdoors
- 9 Cylinder length in mm outside - inside When measuring, note the thickness of the two rosettes



The cylinders are available with inside and outside lengths in 5 mm increments. The cylinder housing should be mounted as flush as possible. Example: For a measured length of 38 mm, select a cylinder with length 40 mm.

- 10 No entry required
- 11 Comment